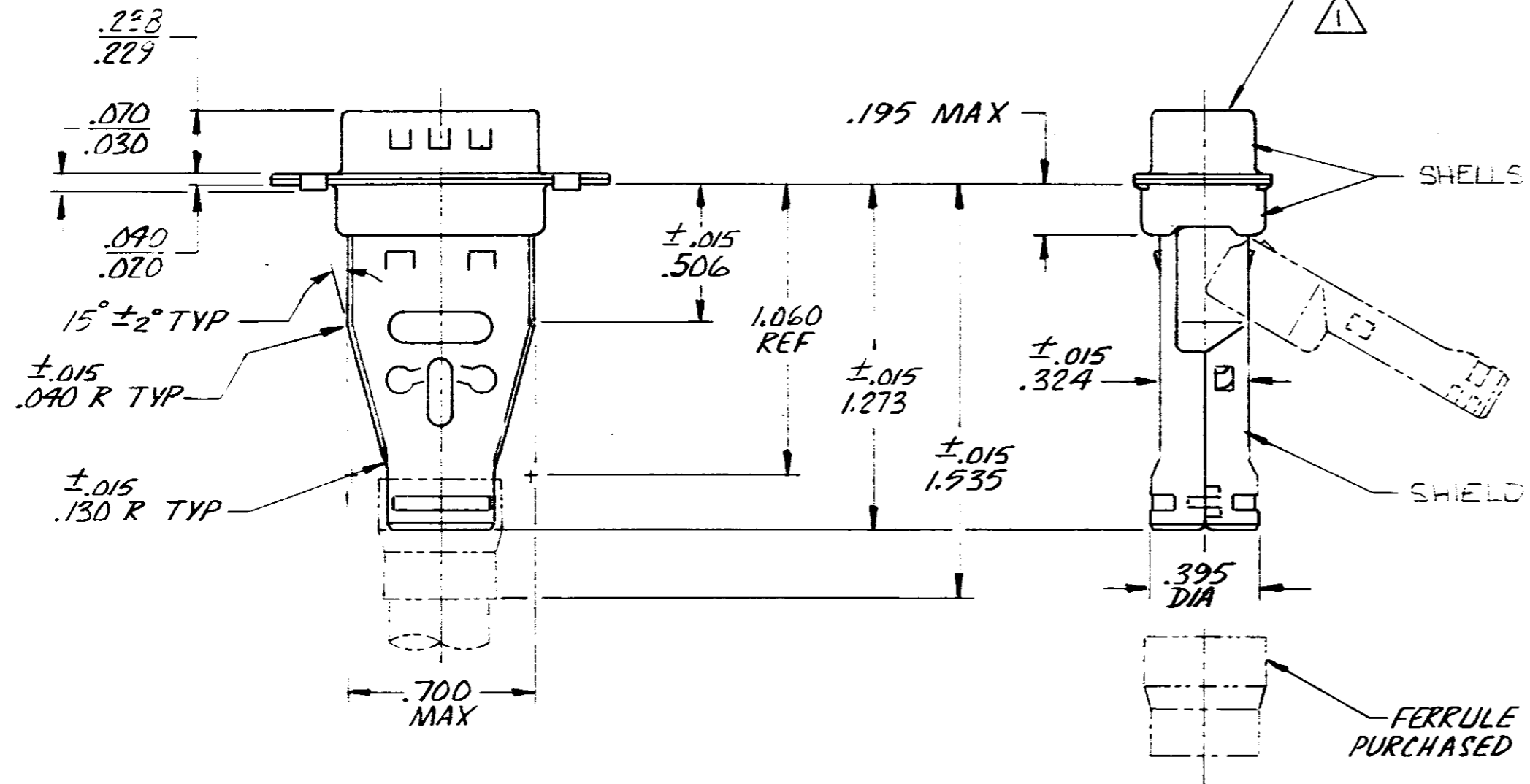
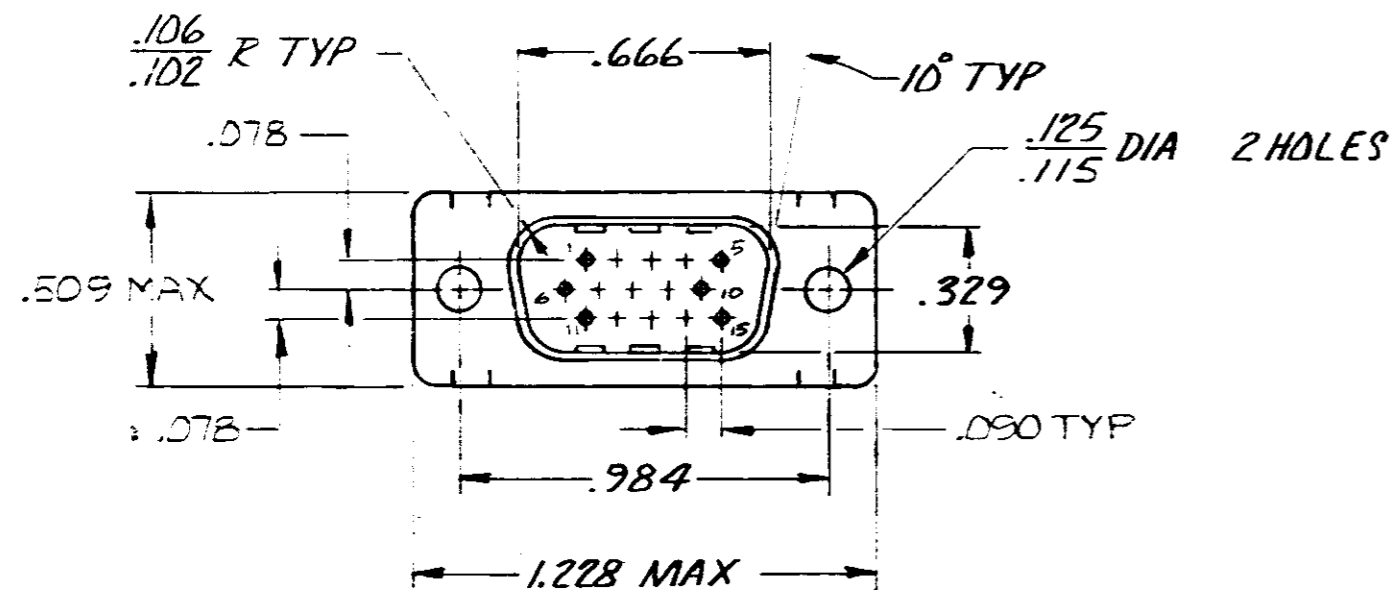


THIS DRAWING IS UNPUBLISHED. RELEASED FOR PUBLICATION . 19
© COPYRIGHT 19 BY AMP INCORPORATED, HARRISBURG, PA. ALL INTERNATIONAL RIGHTS RESERVED. AMP PRODUCTS MAY BE COVERED BY U.S. AND FOREIGN PATENTS AND/OR PATENTS PENDING.

REVISIONS						
P	F	ZONE	LTR	DESCRIPTION	DATE	APPROVED
				0 RELEASED - WAS 36-5518-1		



- 1. PLUG ACCEPTS SIZE 22 PIN CONTACTS (CONTACTS MUST BE ORDERED SEPARATELY).
- 2. ALL PARTS SHIPPED UNASSEMBLED, EACH PART INDIVIDUALLY BULK PACKED.
- 3. FLAME RETARDANT 94 V-0 RATED GLASS FILLED NYLON OR POLYESTER, COLOR: BLACK.

748463-1
PART NO

UNLESS OTHERWISE SPECIFIED DIMENSIONS ARE IN INCHES. TOLERANCES ON: DECIMALS ± .005 ANGLES ± 0° 30'	CONTRACT NO		AMP AMP INCORPORATED Harrisburg, Pa. 17105		
	DR	3/12/57			
	CHK	3/12/57	NAME KIT, PLUG, SHIELDING HARDWARE, 5 POSN, SIZE 1, AMPLIMITE® HDP-22		
	APPD	3/10/57	SIZE	FSCM NO	DRAWING NO
MATERIAL INSERT: Δ SHELLS & SHIELDS: CS PER ASTM A109	APPD	3/10/57	C	00779	748463
FINISH SHELLS AND SHIELDS: TIN PLATED PER MIL-T-10727	DSGN APPD		SCALE	2:1	SHEET 1 OF 1
	OTHER APPD				

748463